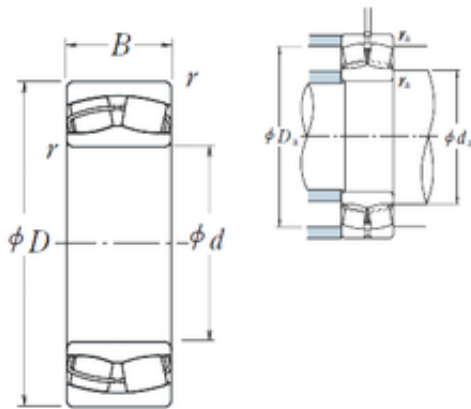




IMPORTED BEARING OF AMERICA CORP.



25 mm x 52 mm x 18 mm 25 mm x 52 mm x 18 mm NSK 22205CE4 spherical roller bearings

Bearing No. 22205CE4

22205CE4 Bearing 2D drawings and 3D CAD models

Size	25x52x18 mm
Bore Diameter	25 mm
Outer Diameter	52 mm
Width	18 mm
d	25 mm
D	52 mm
B	18 mm
C	18 mm
r min.	1 mm
da min.	31 mm
da max	31 mm
Da min	45 mm
Da max.	46 mm
ra max.	1 mm
Weight	0,17 Kg
Basic dynamic load rating (C)	37,5 kN
Basic static load rating (C0)	37 kN
(Grease) Lubrication Speed	7100 r/min
(Oil) Lubrication Speed	9000 r/min
Calculation factor (e)	0,35
Calculation factor (Y0)	1,9
Calculation factor (Y2)	2,9
Category	Spherical Roller Bearings
Inventory	0.0
Manufacturer Name	NSK



IMPORTED BEARING OF AMERICA CORP.

Minimum Buy Quantity	N/A
Weight / Kilogram	0.08
Product Group	B04311
Internal Clearance	C0-Medium
Mounting Method	Shaft Mount
Rolling Element	Spherical Roller Bearing
Bore Profile	Straight
Cage Material	Steel
Enclosure	Open
Number of Rows of Rollers	Double Row
Relubricatable	Yes
Withdrawal Sleeve	Not Applicable
Inch - Metric	Metric
Long Description	25MM Straight Bore; 52MM Outside Diameter; 18MM Width; C0-Medium Clearance; Shaft Mount; Double Row of Spherical Roller Bearings; Steel Cage Material; Open Enclosure; Relubricatable
Category	Spherical Roller Bearing
UNSPSC	31171510
Harmonized Tariff Code	84823080
Noun	Bearing
Keyword String	Spherical
Manufacturer URL	http://www.nskamericas.com
Manufacturer Item Number	22205CE4
Weight / LBS	0.18
Adapter Part Number	Not Applicable Inch Not Applicable Millimeter
Width	0.709 Inch 18 Millimeter
Bore	0.984 Inch 25 Millimeter
Outside Diameter	2.047 Inch 52 Millimeter



IMPORTED BEARING OF AMERICA CORP.

bore diameter:	25 mm
maximum rpm:	9000 RPM
outside diameter:	52 mm
operating temperature range:	Maximum of +200 ° C
overall width:	18 mm
cage material:	Steel
bore type:	Straight
bearing material:	Steel
outer ring type:	Not Split
cage type:	Inner Ring Guided
internal clearance:	C0
precision rating:	RBEC 1 (ISO Class Normal)
closure type:	Open
finish/coating:	Uncoated
lubrication hole type:	Lubrication Groove & Hole
outer ring width:	18 mm
dynamic load capacity:	37500 N
fillet radius:	1 mm
static load capacity:	37000 N
series:	222
Y3	1.9
hidYobi	22205CE4
LangID	1
Y1	1.9
D_	52
Y2	2.9
Macha rpm	0
B_	18
da min	31
hidTable	ecat_NSSPHR
Oil rpm	9000



IMPORTED BEARING OF AMERICA CORP.

Y0	1.9
mass	0.17
GRS rpm	7100
ra	1
TSR rpm	10000
C0	37
DE_	46.543
X0	1
Prod_Type3	SRB_CTB_CB
X1	1
X2	0.67
SIR	5.5
e	0.35
DA_	7.3
bomp	22205CE4
Z_	14
ALP2	10
ALP1	13
ALP3	0
D_a max	46
D_a min	45
yobi	22205CE4
ALPHA_	0.23
SDM_	39.435
r	1
KBRG	2322
SBRG	22
DI_	32.327