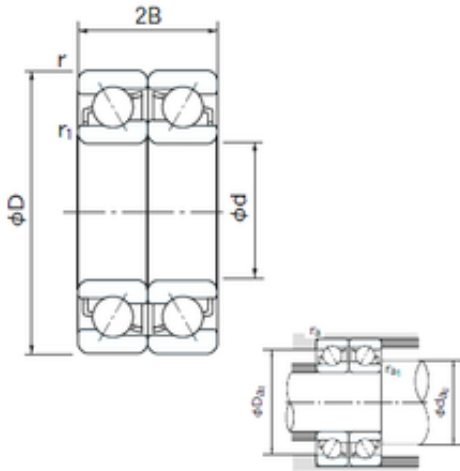




## IMPORTED BEARING OF AMERICA CORP.



7340BDF Bearing 2D drawings and 3D CAD models

200 mm x 420 mm x 80 mm 200 mm x 420 mm  
x 80 mm NACHI 7340BDF angular contact ball  
bearings

Bearing No. 7340BDF

Size	200x420x80 mm
Bore Diameter	200 mm
Outer Diameter	420 mm
Width	80 mm
d	200 mm
D	420 mm
B	80 mm
C	80 mm
Angle ( ° )	40 °
a	90.1 mm
r min.	5 mm
r1 min.	2 mm
2B	160 mm
da min.	210 mm
Da max.	410 mm
ra max.	2 mm
Weight	53.7 Kg
Basic dynamic load rating (C)	725 kN
Basic static load rating (C0)	1240 kN
(Grease) Lubrication Speed	1000 r/min
Bore Type	Cylindrical Bore
Enclosure	Open
Configuration	Duplex
Bore Size	200 mm



## IMPORTED BEARING OF AMERICA CORP.

Outside Diameter	420 mm
Width	80 mm
Fillet Radius/Chamfer	5 mm
r1	2 mm
Dynamic Load Rating	725,000 N
Static Load Rating	1,240,000 N
Limiting Speed - Grease	1,000 rpm
Limiting Speed - Oil	1,300 rpm
da1 (min)	222 mm
da2 (min)	210 mm
Da1 (max)	398 mm
Da2 (max)	410 mm
ra (max)	4 mm
ra1 (max)	2 mm