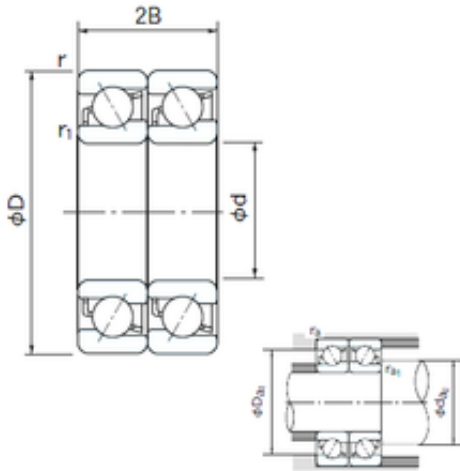




## IMPORTED BEARING OF AMERICA CORP.



200 mm x 420 mm x 80 mm 200 mm x 420 mm  
x 80 mm NACHI 7340BDT angular contact ball  
bearings

Bearing No. 7340BDT

7340BDT Bearing 2D drawings and 3D CAD models

Size	200x420x80 mm
Bore Diameter	200 mm
Outer Diameter	420 mm
Width	80 mm
d	200 mm
D	420 mm
B	80 mm
C	80 mm
Angle ( ° )	40 °
a	90.1 mm
r min.	5 mm
r1 min.	2 mm
2B	160 mm
da min.	210 mm
Da max.	410 mm
ra max.	2 mm
Weight	53.7 Kg
Basic dynamic load rating (C)	725 kN
Basic static load rating (C0)	1240 kN
(Grease) Lubrication Speed	1000 r/min
Bore Type	Cylindrical Bore
Enclosure	Open
Configuration	Duplex
Bore Size	200 mm



## IMPORTED BEARING OF AMERICA CORP.

Outside Diameter	420 mm
Width	80 mm
Fillet Radius/Chamfer	5 mm
r1	2 mm
Dynamic Load Rating	725,000 N
Static Load Rating	1,240,000 N
Limiting Speed - Grease	1,000 rpm
Limiting Speed - Oil	1,300 rpm
da1 (min)	222 mm
da2 (min)	210 mm
Da1 (max)	398 mm
Da2 (max)	410 mm
ra (max)	4 mm
ra1 (max)	2 mm