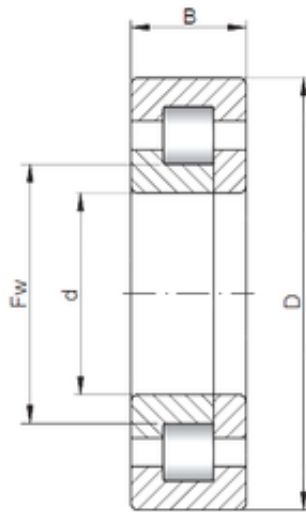




IMPORTED BEARING OF AMERICA CORP.



190 mm x 290 mm x 75 mm 190 mm x 290 mm
x 75 mm ISO NUP3038 cylindrical roller bearings

Bearing No. NUP3038

Size	190x290x75 mm
Bore Diameter	190 mm
Outer Diameter	290 mm
Width	75 mm
d	190 mm
D	290 mm
B	75 mm
C	75 mm

NUP3038 Bearing 2D drawings and 3D CAD models