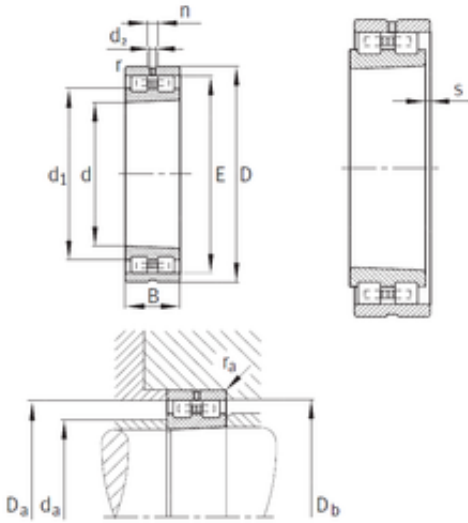




IMPORTED BEARING OF AMERICA CORP.



190 mm x 290 mm x 75 mm 190 mm x 290 mm
x 75 mm INA NN3038-AS-K-M-SP cylindrical
roller bearings

Bearing No. NN3038-AS-K-M-SP

Size	190x290x75 mm
Bore Diameter	190 mm
Outer Diameter	290 mm
Width	75 mm
d	190 mm
D	290 mm
E	265 mm
B	75 mm
C	75 mm
n	12,2 mm
d1	228,2 mm
d2	6,3 mm
r min.	2,1 mm
da min.	200 mm
Da max.	280 mm
Db min.	268 mm
ra max.	2,1 mm
S	4,8 mm
Weight	17,3 Kg
Basic dynamic load rating (C)	585 kN
Basic static load rating (C0)	1040 kN
(Grease) Lubrication Speed	2 600 r/min
(Oil) Lubrication Speed	3 200 r/min

NN3038-AS-K-M-SP Bearing 2D drawings and 3D
CAD models