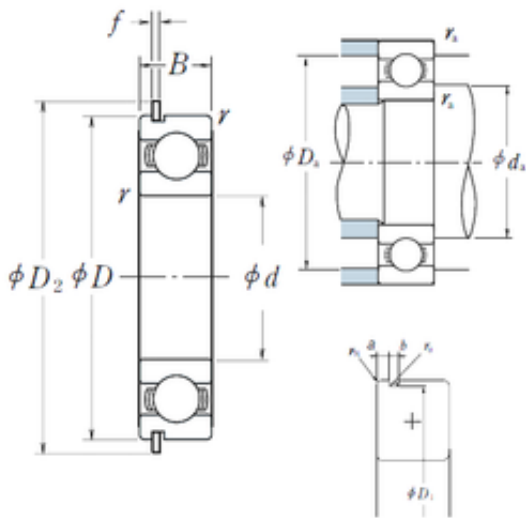




IMPORTED BEARING OF AMERICA CORP.



17 mm x 30 mm x 7 mm 17 mm x 30 mm x 7 mm NSK 6903NR deep groove ball bearings

Bearing No. 6903NR

Size	17x30x7 mm
Bore Diameter	17 mm
Outer Diameter	30 mm
Width	7 mm
d	17 mm
D	30 mm
B	7 mm
C	7 mm
rn	0,3 mm
a	1,3 mm
b	0,95 mm
f	0,85 mm
r min.	0,3 mm
r0 max.	0,25 mm
D1	28,7 mm
D2	32,8 mm
da min.	19 mm
da max	19,5 mm
Da max.	28 mm
ra max.	0,3 mm
Weight	0,017 Kg
Basic dynamic load rating (C)	4,6 kN
Basic static load rating (C0)	2,55 kN
(Grease) Lubrication Speed	24 000 r/min
(Oil) Lubrication Speed	28 000 r/min

6903NR Bearing 2D drawings and 3D CAD models



IMPORTED BEARING OF AMERICA CORP.

SRI	2.05
hidYobi	6903NR
LangID	1
ro	0.25
D_	30
SREX	0.015
B_	7
da min	19
hidTable	ecat_NS RDGB
Oil rpm	28000
SRE	2.05
Cy	1.8
mass	0.017
GRS rpm	24000
ra	0.3
SRIX	0.015
D_a	28
SRIN	-0.015
C0	2.55
fo	14.7
SREN	-0.015
DE_	27.469
Prod_Type3	DGBB_SR_NR_OT
DA_	3.969
bomp	0
Z_	11
yobi	6903NR
Dx	33.5
C_conv	4600
ALPHA_	0
SDM_	23.5
r	0.3



IMPORTED BEARING OF AMERICA CORP.

KBRG	6101
SBRG	19
DI_	19.531